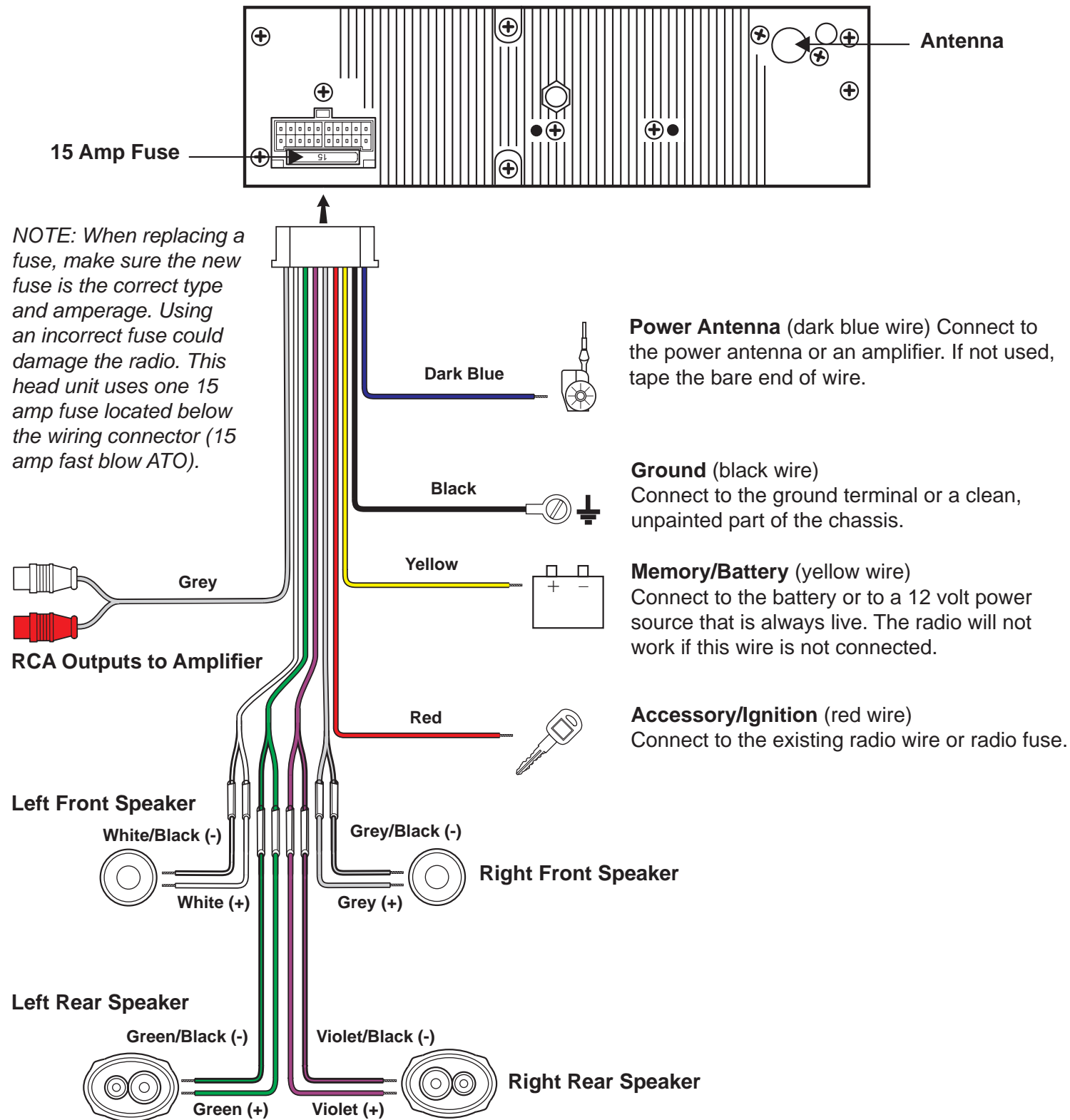


Wiring Diagram

IMPORTANT: Incorrect wiring connections can damage the unit. Follow the wiring instructions carefully, or have the installation handled by an experienced technician.

Need Help? For technical assistance, call the Jensen customer support line at 1-800-323-4815.



What's in the Box

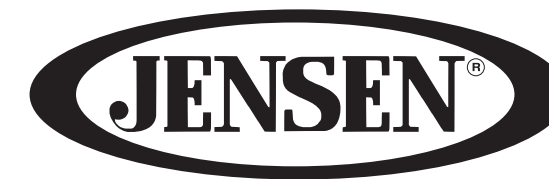
- MP1313 Head Unit
- Cosmetic Trim Ring
- Wiring Harness Power/Speaker
- Mounting Hardware
- Remote Control
- Owners Manual
- Installation Guide

Tools and Supplies

You will need these tools and supplies to install your MP1313:

- Torx type, flat-head and Philips screwdrivers
- Wire cutters and strippers
- Tools to remove existing radio (screwdriver, socket wrench set or other tools)
- Electrical tape
- Crimping tool
- Volt meter/test light
- Crimp connections
- 16 gauge wire for power connections
- 20 gauge speaker wire

WARNING! Never install this unit where operation and viewing could interfere with safe driving conditions.



MP1313

Installation Guide



Speaker Requirements

Only connect speakers rated with a load impedance of 4 ohms. Speakers with a load impedance of less than 4 ohms could damage the unit.

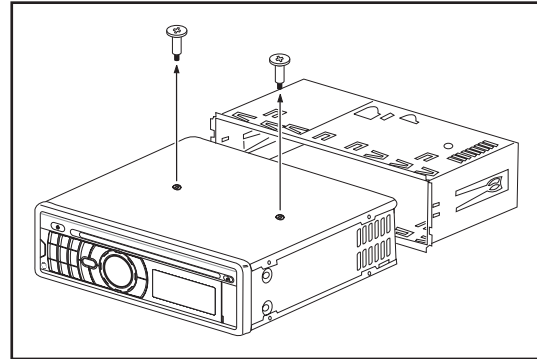
Preparation

This unit is designed for installation in cars, trucks and vans with an existing radio opening. In many cases, a special installation kit will be required to mount the radio to the dashboard. These kits are available at electronics supply stores and car stereo specialty shops. Always check the kit application before purchasing to make sure the kit works with your vehicle. If you need a kit but cannot locate one, call our customer support line at 1-800-323-4815. (U.S.A. and Canada only.)

- 1 To prevent a short circuit, be sure to turn off the ignition and remove the negative (-) battery cable prior to installation.

NOTE: If this unit is to be installed in a car equipped with an on-board drive or navigation computer, do not disconnect the battery cable. If the cable is disconnected, the computer memory may be lost. Under these conditions, use extra caution during installation to avoid causing a short circuit.

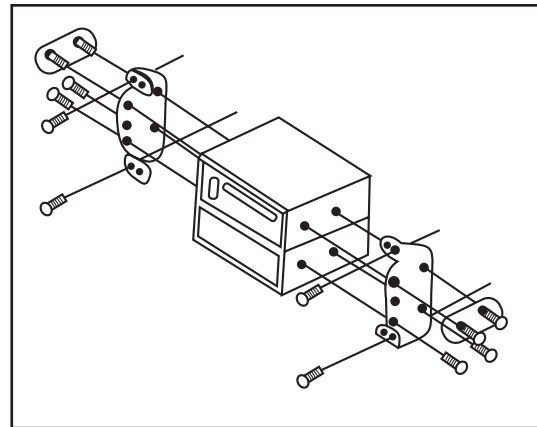
- 2 Remove transport screws.



ISO-DIN Installation

This unit has threaded holes in the chassis side panels which may be used with the original factory mounting brackets of some vehicles to mount the radio to the dashboard. Please consult with your local car stereo shop for assistance on this type of installation.

- 1 Remove the existing factory radio from the dashboard or center console mounting. Save all hardware and brackets as they will be used to mount the new radio.
- 2 Carefully unsnap the plastic frame from the front of the new radio chassis. Remove and discard the frame.
- 3 Remove the factory mounting brackets and hardware from the existing radio and attach them to the new radio.
CAUTION: Do not exceed M5 X 9MM screw size. Longer screws may damage components inside the chassis.
- 4 Wire the new radio to the vehicle as outlined in the Mounting Sleeve Installation instructions.
- 5 Mount the new radio assembly to the dashboard or center console using the reverse procedure in step 1.



CAUTION! Be careful not to damage the car wiring.

Mounting Sleeve Installation

- 1 Push the **REL** button and remove the detachable front panel from the chassis.
- 2 Remove the trim ring by lifting in the center and pulling it off from either side.
- 3 Remove the mounting sleeve.
 - a. Insert the removal keys straight back until they lock. If removal keys are inserted at an angle, they will not lock properly to release the unit.
 - b. Slide the mounting sleeve off the chassis.
- 4 Install the mounting sleeve in the dashboard.
 - a. Check the dashboard opening size by sliding the mounting sleeve into it. If the opening is not large enough, carefully cut or file as necessary until the sleeve easily slides into the opening. Do not force the sleeve into the opening or cause it to bend or bow.
 - b. Locate the series of bend tabs along the top, bottom and sides of the mounting sleeve. With the sleeve fully inserted into the dashboard opening, bend as many of the tabs outward as necessary to firmly secure the sleeve to the dashboard.
- 5 Place the radio in front of the dashboard opening so the wiring can be brought through the mounting sleeve.
- 6 Follow the wiring diagram carefully and make certain all connections are secure and insulated with crimp connectors or electrical tape to ensure proper operation.
WARNING! Only connect the unit to a 12-volt power supply with proper grounding.
- 7 After completing the wiring connections, attach the front panel and turn the unit on to confirm operation (vehicle ignition switch must be on). If the unit does not operate, recheck all wiring until the problem is corrected. Once proper operation is achieved, turn the ignition switch off and proceed with final mounting of the chassis.
- 8 Carefully slide the radio into the half-sleeve, making sure it is right-side-up until it is fully seated and the spring clips lock it into place.
- 9 Attach one end of the perforated support strap (supplied) to the screw stud on the rear of the chassis using the hex nut provided. Fasten the other end of the perforated strap to a secure part of the dashboard, either above or below the radio, using the screw and hex nut provided. Bend the strap, as necessary, to position it.
CAUTION: The rear of the radio must be supported with the strap to prevent damage to the dashboard from the weight of the radio or improper operation due to vibration.
- 10 Re-attach the decorative trim ring.
- 11 Re-attach the front panel to the chassis and test radio operation by referring to the operating instructions for the unit.

NOTE: For proper operation of the CD/MP3 player, the chassis must be mounted within 20° of horizontal. Make sure the unit is mounted within this limitation.

