

# BUCAM400AJ

Universal License Plate  
Style Camera with Audio

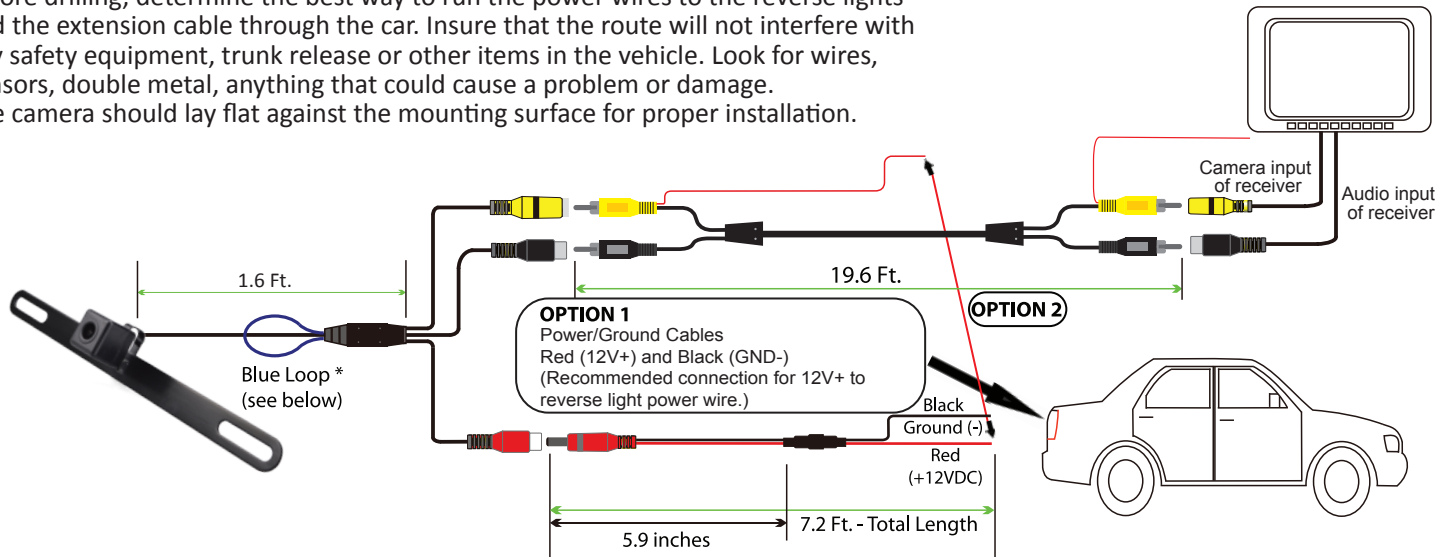
## What's in the box

1. Product Sheet
2. BUCAM400AJ License plate style camera with built-in microphone.
3. Power Cable w/ Fuse, A/V Cable



## Mounting the camera

Position on the license plate top screws for the best viewing angle. This should not be directly next to or under a reverse/backup/license lamp as it may blind the camera at night. Before drilling, determine the best way to run the power wires to the reverse lights and the extension cable through the car. Insure that the route will not interfere with any safety equipment, trunk release or other items in the vehicle. Look for wires, sensors, double metal, anything that could cause a problem or damage. The camera should lay flat against the mounting surface for proper installation.



1. Fix the camera to the appropriate position on the license plate and adjust the angle.
2. Follow ONE of the following wiring options.

### OPTION 1: Connect camera power wire to the vehicle's reverse lamp:

- a) Locate the reverse lamp in the tail light assembly.
- b) Attach the red wire to the positive 12 volt wire from the reverse lamp. Use a crimp connector or soldering tool to ensure connection is secure. Once this connection is complete, note that the red power wire that is located on either end of the video RCA cable will not be needed. The bare wire at the end of each wire lead should be capped or taped off to prevent potential power interruption.
- c) Attach the black wire to ground(-).
- d) Run video cable to the location of the receiver or monitor(not included). Connect one yellow RCA end of the video cable to the camera and connect the other end of the yellow RCA cable to the video source(receiver/monitor).
- e) Run audio cable to the location of the receiver or monitor(not included). Connect one black RCA end of the audio cable to the camera and connect the other end of the back RCA cable to the audio source(receiver/monitor).

### OPTION 2: Connect camera power wire to receiver/monitor power:

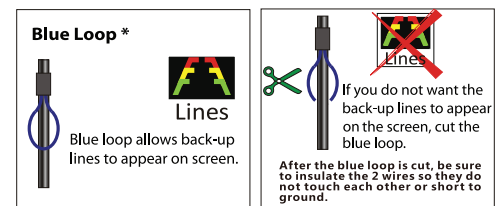
- a) From camera location, connect red power wire from power cable to red power wire from one end of the video cable. Use a crimp connector or soldering tool to ensure connection is secure.
- b) Attach the black wire to ground.
- c) Run video cable to the location of the receiver or monitor(not included). Connect one yellow RCA end of the video cable to the camera and connect the other end of the yellow RCA cable to the video source(receiver/monitor).
- d) From video source(receiver/monitor) location, connect red power wire from end of the video cable to the reverse wire lead located on the video source(receiver/monitor).
- e) Run audio cable to the location of the receiver or monitor(not included). Connect one black RCA end of the audio cable to the camera and connect the other end of the black RCA cable to the audio source(receiver/monitor).

## Camera Specifications

Image Sensor: CMOS,7440H  
Power: 12V DC,Negative Ground  
Power Consumption: < 1 Watt  
Effective Pixels: 733H x 493V  
Video Format: NTSC  
Lux: < 0.5  
White Balance: Auto  
Viewing Angle: 170 Degrees  
IP Rating: IP67  
Operating Temperature: -30 °C ~ +70 °C  
A license plate material: Stainless Steel SUS304  
Camera Body: Plastic

## Microphone Specifications

Parameter  
Sensitivity:-30±2 dB  
Amplifying Power:0.2 W  
S/N Ratio(A weighted network):70(Min) dB  
Directional Characteristic:Omni-Directional  
Maximum Input Sound Pressure Level:100 dB  
Waterproof Rating:IP67



## Limited One Year Warranty

This warranty gives you specific legal rights. You may also have other rights which vary from state to state.

Dual Electronics Corp. warrants this product to the original purchaser to be free from defects in material and workmanship for a period of 1(one) year from the date of the original purchase.

Dual Electronics Corp. agrees, at our option, during the warranty period, to repair any defect in material or workmanship or to furnish an equal new, renewed or comparable product (whichever is deemed necessary) in exchange without charges, subject to verification of the defect or malfunction and proof of the date of purchase.

Subsequent replacement products are warranted for the balance of the original warranty period.

**Who is covered?** This warranty is extended to the original retail purchaser for products purchased from an authorized Jensen / Dual or Axxera dealer and used in the U.S.A.

**What is covered?** This warranty covers all defects in material and workmanship in this product. The following are not covered: software, installation/removal costs, damage resulting from accident, misuse, abuse, neglect, product modification, improper installation, incorrect

line voltage, unauthorized repair or failure to follow instructions supplied with the product, or damage occurring during return shipment of the product. Specific license conditions and copyright notices for the software can be found via [www.dualav.com](http://www.dualav.com).

## What to do?

1. Before you call for service, check the troubleshooting guide in your owner's manual. A slight adjustment of any custom controls may save you a service call.

2. If you require service during the warranty period, you must carefully pack the product (preferably in the original package) and ship it by prepaid transportation with a copy of

the original receipt from the retailer to an authorized service center.

3. Please describe your problem in writing and include your name, a return UPS shipping address (P.O.Box not acceptable), and a daytime phone number with your shipment.

4. For more information and for the location of the nearest authorized service center please contact us by one of the following methods:

- Call us toll-free at 1-866-382-5476
- E-mail us at [cs@dualav.com](mailto:cs@dualav.com)

**Exclusion of Certain Damages:** This warranty is exclusive and in lieu of any and all other warranties, expressed or implied, including without limitation the implied warranties of merchantability and fitness for a particular purpose and any obligation, liability, right, claim or remedy in contract or tort, whether or not arising

from the company's negligence, actual or imputed. No person or representative is authorized to assume, for the company, any other liability in connection with the sale of this product. In no event shall the company be liable for indirect, incidental or consequential damages.