

140mm

140mm

J4W12

OWNER'S MANUAL

Customer Support
1-888-921-4088
(Monday-Friday, 9AM-5PM EST)
Visit <https://www.jensenmobile.com>

Designed and Engineered in USA

JENSEN
Namsung America Inc.
©2024 Namsung America Inc.
All rights reserved.

All rights reserved. No part of this publication may be reproduced, distributed, or transmitted in any form or by any means, including photocopying, recording, or other electronic or mechanical methods, without the prior written permission of NAMSUNG AMERICA, INC.

NSA0324-v01
Printed in China

JENSEN®



J4W12 12-inch SUBWOOFER

OWNER'S MANUAL



JENSEN

210mm

Limited Two Year* Warranty

JENSEN
J4W12

This warranty gives you specific legal rights. You may also have other rights which vary from state to state.

Namsung America Inc warrants this product to the original purchaser to be free from defects in material and workmanship for a period of three year (or five years*) from the date of the original purchase.

Namsung America Inc agrees, at our option, during the warranty period, to repair any defect in material or workmanship or to furnish an equal new, renewed or comparable product (whichever is deemed necessary) in exchange without charges, subject to verification of the defect or malfunction and proof of the date of purchase. Subsequent replacement products are warranted for the balance of the original warranty period.

Who is covered? This warranty is extended to the original retail purchaser for products purchased from an authorized JENSEN dealer and used in the U.S.A.

What is covered? This warranty covers all defects in material and workmanship in this product. The following are not covered: software, installation/removal costs, damage resulting from accident, misuse, abuse, neglect, product modification, improper installation, incorrect line voltage, unauthorized repair or failure to follow instructions supplied with the product, or damage occurring during return shipment of the product. Specific license conditions and copyright notices for the software can be found via www.jensenmobile.com.

Warranty Coverage
*Limited **year warranty. (Proof of purchase required)-
Extend your warranty from 2 years to 3 years when you register online at www.jensenmobile.com.

- Before you call for service, check the troubleshooting guide in your owner's manual. A slight adjustment of any custom controls may save you a service call.
- If you require service during the warranty period, you must carefully pack the product (preferably in the original package) and ship it by prepaid transportation with a copy of the original receipt from the retailer to an authorized service center.
- Please describe your problem in writing and include your name, a return UPS shipping address (P.O. Box not acceptable), and a daytime phone number with your shipment.
- For more information and for the location of the nearest authorized service center please contact us by one of the following methods:
 - Call us toll-free at (888) 921-4088 (Monday-Friday, 9:00 a.m. to 5:00 p.m. EST)
 - E-mail us at cs@jensenmobile.com

JENSEN

J4W12 Before you get started

Thank you for purchasing the J4W12 12" subwoofer. Although JENSEN has attempted to make sure all of the information contained within this manual is accurate, please be aware that any part of it is subject to change without notice.



The following instructions should be used as a general guideline only. If you are unsure about performing any of the procedures listed below, please consult a professional car audio installation center.

Before installation, please follow these guidelines:

- Be sure to carefully read and understand the instructions before attempting to install this product.
- For safety, disconnect the negative terminal from the battery prior to beginning the installation.
- Use the highest quality connectors for a reliable installation and to minimize signal or power loss.
- Use caution before you drill or cut! Be careful not to cut or drill into gas tanks, fuel lines, brake or hydraulic lines, vacuum lines or electrical wiring when working on any vehicle.
- Never run speaker wires underneath your vehicle. Running speaker wires inside the vehicle provides the best protection from exhaust heat and environmental elements.
- Avoid running wires over, near, or through sharp edged surfaces. Use rubber grommets to protect any wires routed through metal.
- When running the speaker cable from the amplifier, avoid running it near sources of high current (i.e. wiring harnesses, battery cables).

Installation Guidelines

JENSEN
J4W12

To achieve the best possible sound from this subwoofer enclosure, Dual recommends acquiring the services of a professional car audio installation center.

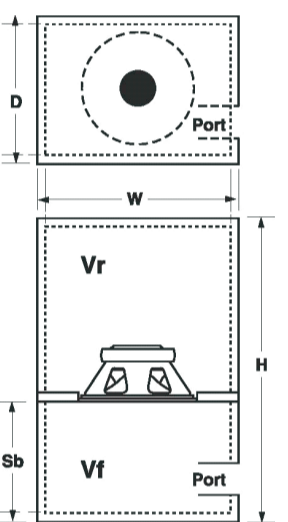
If you feel confident in your ability to install this product without the assistance of a professional, please read this section thoroughly. We have provided a number of placement recommendations and installation tips to assist you. Keep in mind these are provided as a guideline and you may find that other placements specific to your vehicle may provide better results.

- Make sure all moving parts and factory electrical wires are out of the way and will not interfere after installation.
- Ensure the wire is of sufficient length to avoid pulling or stretching. This is even more important if the wires will be run under or through the factory interior.
- Use electrical tape and wire ties to ensure all wires are properly secured.
- Avoid installing speakers or electronics where they can be subject to moisture.
- Ensure the speaker wires are connected using correct polarity. The positive polarity is marked by a (+) sign. Incorrectly connected subwoofers will result in limited bass output.
- Speaker wire should be isolated from the vehicle's electrical system to avoid noise being picked up by the amplifiers.
- We recommend using 14 gauge or larger sized speaker wire to ensure your subwoofer receives the full power output of your amplifier.
- Remember to listen responsibly and respect your ears. Being exposed to sounds over 125dB for even short periods of time can create permanent hearing loss!

JENSEN

J4W12 Bandpass Enclosure

Good Bass Performance/Mini-Enclosure
(Vf) Box Volume .84 Cu. Ft.
(Vr) Box Volume .47 Cu. Ft.
(P) Port 4" ID x 1.0" Long
(Sb) Speaker baffle location/outside front: 9.25"
Example Dimensions: 15" W x 16.5" H x 15" D



Better Bass Performance/Small Enclosure
(Vf) Box Volume .84 Cu. Ft.
(Vr) Box Volume .69 Cu. Ft.
(P) Port 4" ID x 2.625" Long
(Sb) Speaker baffle location/outside front: 9.25"
Example Dimensions: 15" W x 18.5" H x 15" D

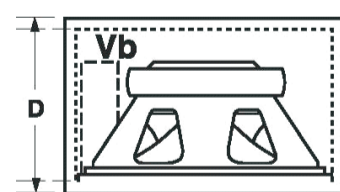
Best Bass Performance/Medium Enclosure
(Vf) Box Volume .84 Cu. Ft.
(Vr) Box Volume .91 Cu. Ft.
(P) Port 4" ID x 4.25" Long
(Sb) Speaker baffle location/outside front: 9.25"
Example Dimensions: 15" W x 20.75" H x 15" D

Attention/Notice:
Dimensions are external

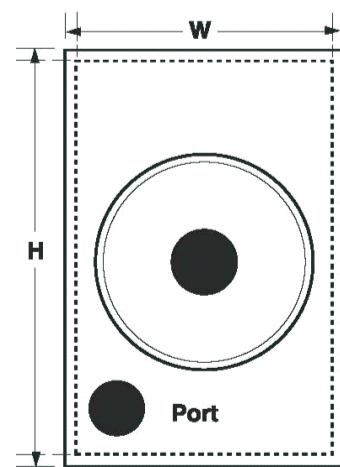
Vented Enclosure

JENSEN
J4W12

Good Bass Performance Mini-Enclosure
(Vb) Box Volume=1 Cu. Ft.
Example
Dimensions: 14.25" W x 17" H x 12" D
(P) Port=3" ID x 9.7" Long



Better Bass Performance Small Enclosure
(Vb) Box Volume=1.25 Cu. Ft.
Example
Dimensions: 14.50" W x 17" H x 14" D
(P) Port=3" ID x 10.25" Long

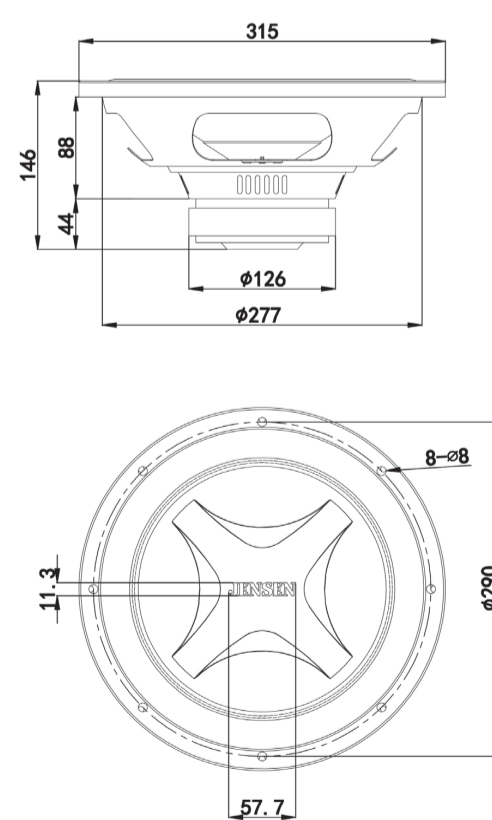


Best Bass Performance Medium Enclosure
(Vb) Box Volume=1.5 Cu. Ft.
Example
Dimensions: 14" W x 20.25" H x 14" D
(P) Port=3" ID x 11.75" Long

Attention/Notice:
Dimensions are external

JENSEN

J4W12 Specifications



SPECIFICATIONS

Sensitivity: 88dB 1W/1M
Frequency Response: 30Hz-400Hz
Impedance: 4Ω
Peak Power: 1200 watts
RMS: 300 watts
Fo: 33.879Hz
Vas: 56.367m cuM
Qms: 6.394
Qes: 0.754
Qts: 0.674
Terminals: 205/205
Cutout Size: 11"
Magnet Weight: 40oz

Note: All specifications are subject to change without notice

Enclosure Guidelines

JENSEN
J4W12

To work properly, the walls of your enclosure must be free from flexing during high sound pressure generated by your subwoofer(s).

For best performance, always use MDF (Medium Density Fiberboard) or Baltic Birch Plywood to build your enclosure. We highly recommend that your wood be at least 3/4" in thickness. The enclosure should be sealed internally with silicon or glue and secured with screws every 4".

Assemble the box before cutting the subwoofer hole(s). If the box will be mounted in a vehicle, it should be fastened securely using metal "L" shaped brackets.

To build an enclosure, calculations will need to be made using the information found on the following 3 pages.

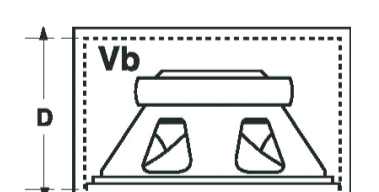
Remember:

- Use 3/4" MDF or Baltic Birch Plywood
- Use wood glue in joints
- Seal joints with silicon caulking
- Use screws every 2 to 4 inches

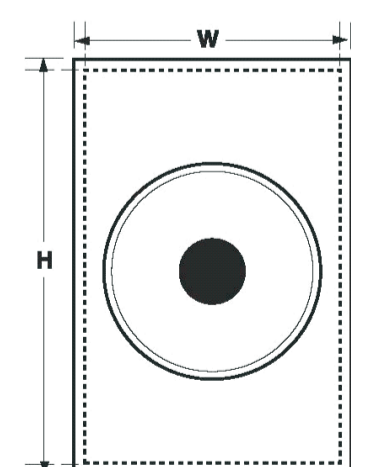
JENSEN

J4W12 Sealed Enclosure

Good Bass Performance Mini-Enclosure
(Vb) Box Volume=.75 Cu. Ft.
Example
Dimensions: 14" W x 14" H x 11.5" D



Better Bass Performance Small Enclosure
(Vb) Box Volume=1.00 Cu. Ft.
Example
Dimensions: 15" W x 14" H x 13" D



Best Bass Performance Medium Enclosure
(Vb) Box Volume=1.25 Cu. Ft.
Example
Dimensions: 17" W x 15" H x 13" D

Note: All specifications are subject to change without notice

Attention/Notice:
Dimensions are external